

TopPage>>Search Result>>53216U

Thrust Ball Bearings

Bearing No. : **NACHI 53216U**

■ Bearing Type

■ Clearance

■ Tolerance Class

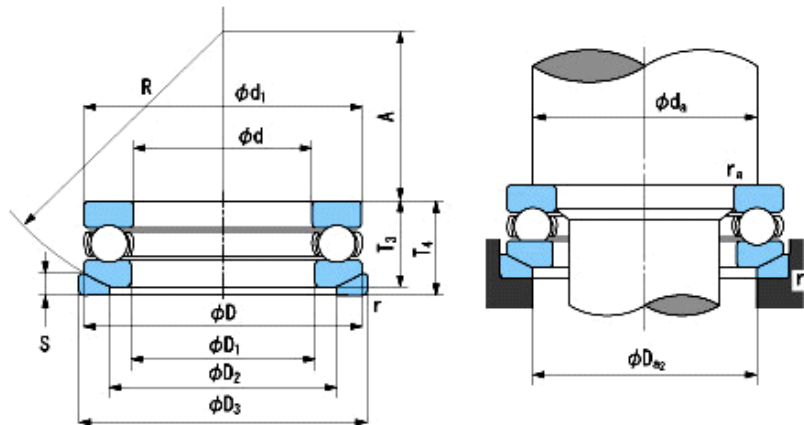
Dimensions

d = 80
0
-0.015

D = 115
0
-0.022

T3 = 29.5
T4 = 33
r = 1~2.2
(Radial Direction and Axial Direction)

d1(max) = 115
D1(min) = 82
D2 = 98
D3 = 120
S = 10
R = 90
A = 46



Dimensions
da(min) = 101
Da2(max) = 98
ra(max) = 1
Mass = 1.16 kg

Basic Dynamic Load Rating Ca : **78,500** N

Basic Static Load Rating Coa : **219,000** N

Limiting Speed ;

Grease Lubrication : **1,700** min⁻¹

Oil Lubrication : **2,600** min⁻¹

O.D.Surface Runout with Side :

Axial Runout with Bore :

Axial Runout with Raceway :

Width Variation :

Radial Runout :

INNER RING

OUTER RING